

**VPN**

Pass-through

**No.1**  
China's  
Leading WLAN Manuf-  
acturer and Exporter

Tenda



## Multifunctional Broadband Router

### Share the Network



### Easy installation and configuration



### Powerful performance and high stability



### BRIEF INTRODUCTION ❖❖

R502 Multifunctional Broadband Router is designed for SOHO users to share the Internet. It provides multiple functions such as virtual server, DMZ host, UPnP, firewall and domain filter. In addition, the intelligent software, Setup Wizard, can assist you to access the Internet fast and easily. Powerful and easy-to-use, it is your best choice.

### PRODUCT FEATURES ❖❖

- ▶ Powerful performance and high stability;
- ▶ Supports built-in firewall, domain filter and MAC address filter;
- ▶ Supports virtual server, DMZ host and UPnP;
- ▶ Supports software upgrade;
- ▶ Supports VPN pass-through (PPTP);

### WHAT THIS PRODUCT DOES

Create a wired network to share Internet access simultaneously among multiple PCs.

### BENEFITS

- Supports TCP/IP, PPPoE, DHCP, ICMP, NAT and SNTP protocols;
- Provides one 10/100M Auto-Negotiation Ethernet WAN port, four 10/100M Auto-Negotiation LAN ports;
- Built-in DHCP server supporting static address assignment;
- Supports remote and Web management;
- Provides multiple Internet connection options: connect automatically, connect manually, connect on demand and connect on fixed time;

### PACKAGE CONTENTS

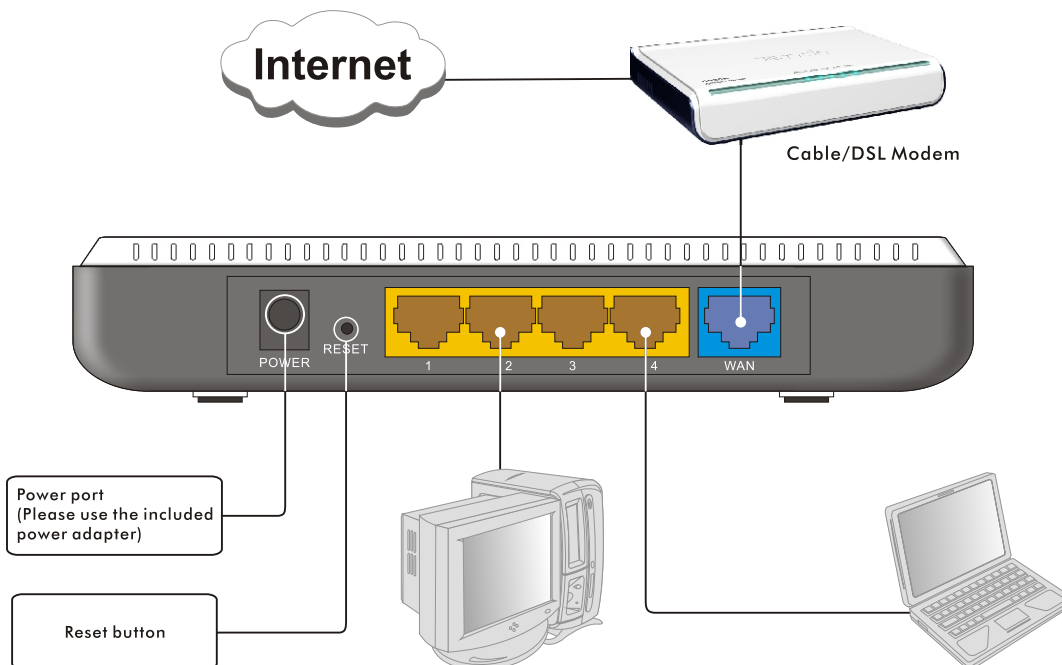
- R502 Multifunctional Broadband Router
- Power Adapter
- Quick Installation Guide
- CD-ROM (User Guide included)

### TECHNICAL SPECIFICATIONS

Standards	IEEE 802.3, IEEE 802.3u, TCP/IP, DHCP, ICMP, NAT, PPPoE, SNTP
Connection type	PPPOE, dynamic IP, static IP, PPTP
Interface	1 Power Port, 1 WAN port, 4 LAN Ports
Buttons	Reset
Power Rating	AC 9V, 1A
Operating Temperature	32 to 104°F (0 to 40°C)
Operating Humidity	10 to 90% Noncondensing
Storage Temperature	-40 to 158°F (-40 to 70°C)
Storage Humidity	5 to 90% Noncondensing
Dimension (WxDxH)	160mmX102mmX30mm (6.3"X4.0"X1.2")
Gross Weight	0.74Kg
Certificate	CE, RoHS

### MINIMUM REQUIREMENTS

- Internet Explorer 5.5 or Firefox 1.0
- Network Adapter



**Model No.:R502**

● **Obligation-free statement**

The maximum performance for wireless is derived from IEEE Standard 802.11 specifications. Actual performance can vary, including lower wireless network capacity, data throughput rate, range and coverage. Performance depends on many factors, conditions and variables, including distance from the access point, volume of network traffic, building materials and construction, operating system used, mix of wireless products used, interference and other adverse conditions. Check the product package and contents for specific features supported. Specifications are subject to change without notice.

● **Copyright statement**

Tenda is the registered trademark of Shenzhen Tenda Technology Co., LTD in CHINA and certain other countries. Copyright © 2007 Shenzhen Tenda Technology Co., LTD. All rights reserved. Other brands and product name are trademarks or registered trademarks of their respective holders.

● **Contact us**

**Shenzhen Tenda Technology Co., Ltd.**  
 Address: Tenda Industrial Park, No. 34-1, Shilong Rd., Shiyong Town, Bao'an District, Shenzhen, P.R. China 518108  
 Tel: 0086.755.2765.7180 Fax: 0086.755.2765.7178  
 E-mail: sales@tenda.com.cn Http: www.tenda.cn