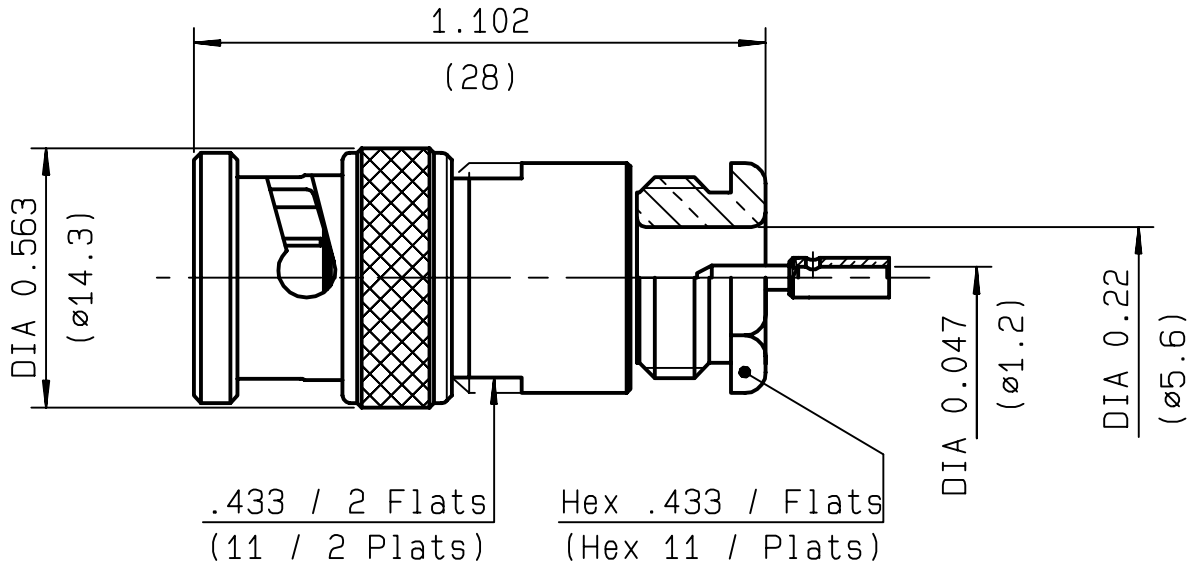


**STRAIGHT PLUG CLAMP TYPE
CABLE 5/50 S+D**

R141.008.000
SERIES BNC



NOMINAL IMPEDANCE	50 Ω	CABLES : KX 15 KX 23 RG 141 RG 142 RG 142 FTX RG 223 RG 400 RG 58
FREQUENCY RANGE	0-4 GHz	
TEMPERATURE RATING	-65/+165 °C	
V.S.W.R	1.2 + x F(GHz)Maxi	
RF INSERTION LOSS	0.115 √F(GHz) dB Maxi	
VOLTAGE RATING	500 Veff Maxi	
DIELECTRIC WITHSTANDING VOLTAGE	1500 Veff Mini	
INSULATION RESISTANCE	5000 MΩMini	
HERMETIC SEAL	NA Atm.cm ³ /s	
LEAKAGE (pressurized only)	NA	
MECHANICAL DURABILITY	500 Cycles	OTHERS CHARACTERISTICS
WEIGHT	17 gr	CABLE RETENTION 180 N Mini
SPECIFICATION		CENTER CONTACT RETENTION
		Axial force - mating end NA N Mini
		Axial force - opposite end NA N Mini
		Torque NA cm.N Mini
		RECOMMENDED TORQUES
		Mating NA cm.N
		Panel nut NA cm.N
		Clamp nut 450 cm.N

CONNECTOR PARTS	MATERIALS	FINISH	(all values are given in micrometers)
BODY	BRASS	NICKEL 2	
OUTER CONTACT			
CENTER CONTACT	BRASS	GOLD 0.5 OVER NICKEL 2	
INSULATOR	PTFE	-	
GASKET	SILICONE RUBBER	-	
OTHERS PIECES	BRASS	NICKEL 2	

ISSUE	CREATION DATE	FILE PART-NUMBER
9916B01	12/09/1984	



PERRIN

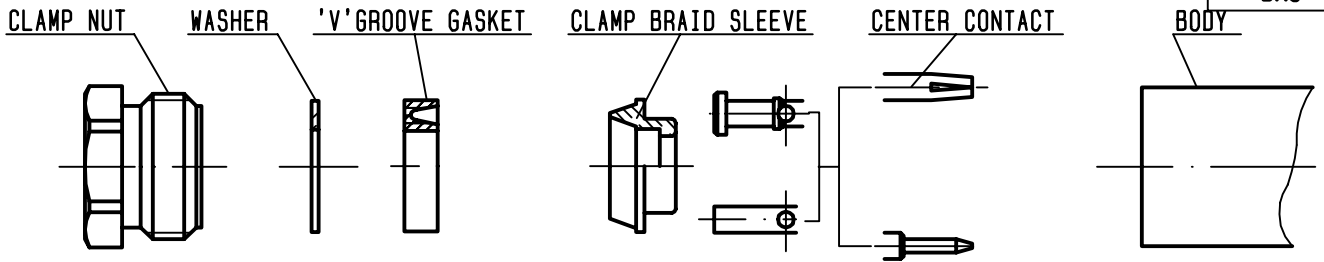
The information given here is subject to change without notice. Design changes may be in order to improve the product.

Connect to the future



R141.008.000

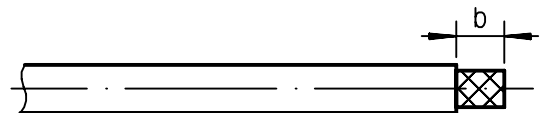
ISSUE **9916B01** SERIES **BNC**



①

Strip the cable .

-
-
-
-

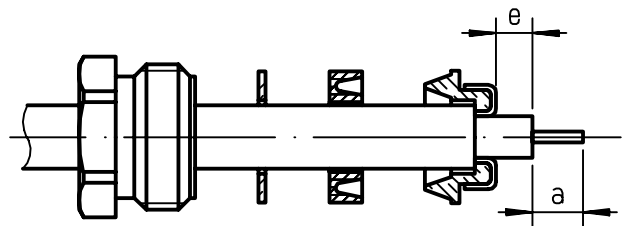


Stripping	a	b	c	d	e
inch	0.177	0.335	0	0	0.098
mm	4.5	8.5			2.5

②

Slide clamp nut, washer and 'V'groove gasket onto cable .
Slide clamp braid sleeve over braid .
Fold braid back and trim off extra braid.
Trim dielectric back as shown .

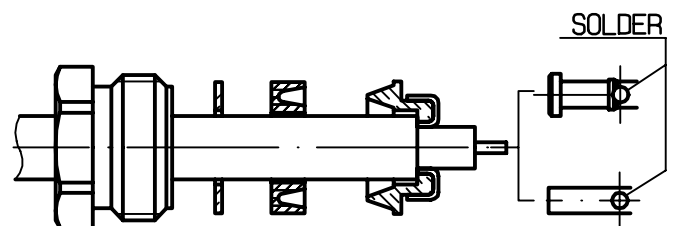
-



③

Solder the center contact onto cable center conductor.

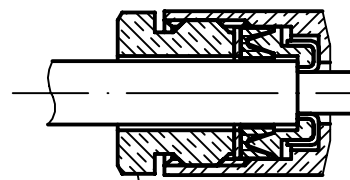
-
-
-
-
-
-



④

Screw sub-assembly into the connector body .
(recommended coupling torque 450N.cm)
39.82in.lb

-
-



Hex. : 11 mm /flats
Hex. : 0.433inch /flats