

EPV Central

Description

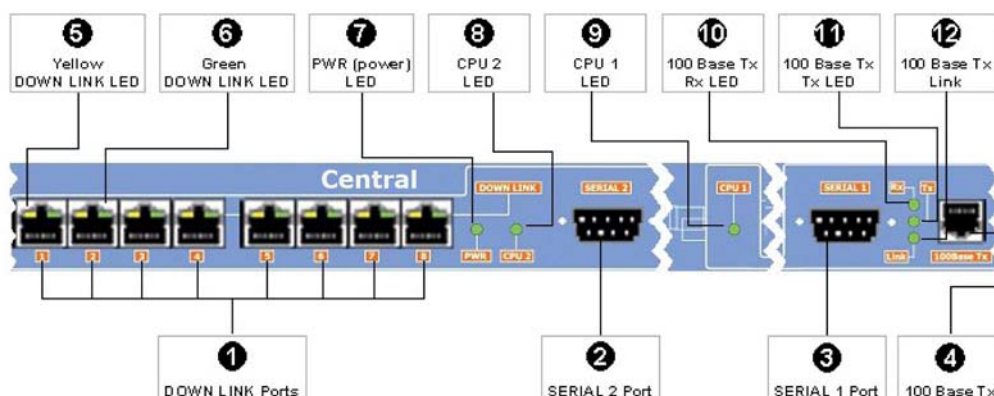


The EPV Central is a local connectivity management solution for large communication rooms. It is directly connected to the network and can monitor up 4608 ports (192 panels).

The EPV Central:

- Controls and manages the scanning algorithm.
- Presents a complete and up-to-date picture of the network connectivity regardless of the physical location of the site.
- Communicates with the EPV scouts
- Interfaces with the Control Pad
- Has built-in control button capabilities
- CE, UL and RoHS compliant

The EPV Scouts are connected to the DOWN LINK Ports of the EPV Central. Up to eight EPV Scouts can be connected to the EPV Central.



The above is an enlarged View of the EPV Central Connectors and LEDs.



EPV Central

Specifications

Standards compliance	Safety	UL 60950, EN 60950
	EMC	EN-55022, FCC Part 15 Class A, EN-55024
Interface	100Base Tx	RJ-45 socket, Ethernet IEEE 802.3, 100Base Tx/10Base T, 100/10 Mbps industry standard for connection to local area network.
	DOWN LINK	1 – 8 Ports Standard RS-485, Full – Duplex Connector Shielded RJ-45 socket Data Rate Up to 115.2 Kbps
	SERIAL 1 SERIAL 2	Standard RS-232 Connector 9 pin D-type male Data Rate Up to 115.2 Kbps Protocol UART, Start bit 1, Stop bit 1, Nonparity
LED Indicators	DOWN LINK-YELLOW	1 – 8 Ports On during the transmission of each of the DOWN LINK Ports
	DOWN LINK-GREEN	1 – 8 Ports On during the reception of each of the DOWN LINK Ports
	PWR	On when scanner is powered
	CPU 2	Blinking to indicate expander heartbeat
	CPU 1	Blinking to indicate master heartbeat
	100Base Tx - Rx	On during reception from Local area network
	100Base Tx - Tx	On during the transmission to Local area network
Physical	100Base Tx LINK	On when the link is active
	Height	44.4mm/ 1.75" (1U)
	Width	482.6mm/19"
	Depth	159.3mm/6.27"
Environment	Weight	2.0kg/4.4lb
	Temperature	0 - 50°C /32-122°F
Power	Humidity	Up to 90% non-condensing
		100VAC to 240VAC 1.2- 0.6 A, 47 to 63 Hz, 30W max