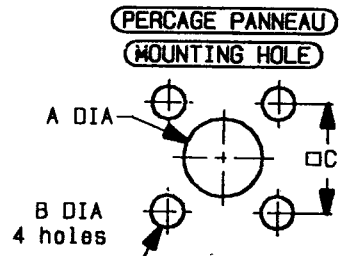
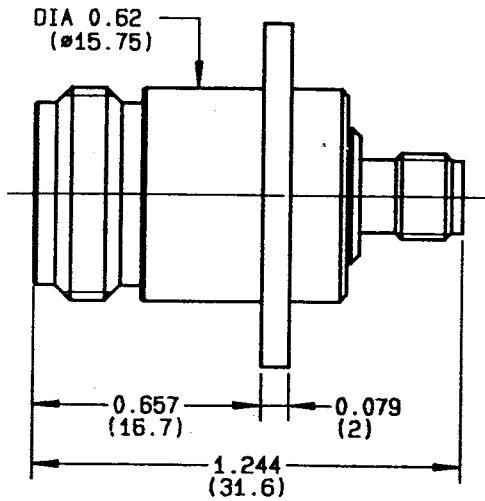
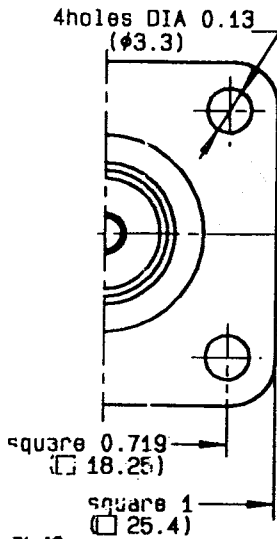


ADAPTER BETWEEN N SERIES FEMALE - SMA SERIES FEMALE  
FLANGE RECEPTACLE



	MM		INCH	
	maxi	mini	maxi	mini
A	16.3	16.1	0.642	0.63
B	3.3	3.2	0.13	0.126
C	18.35	18.15	0.722	0.715

CHARACTERISTICS

NOMINAL IMPEDANCE	50	Ω
FREQUENCY RANGE	0-11	GHz
TEMPERATURE RATING	-55/+175	°C
VSWR	1.20 +	0 x F(GHz)Max1
RF INSERTION LOSS	TBD	√F(GHz) dB Max1
VOLTAGE RATING	500	V <sub>rms</sub> Max
DIELECTRIC WITHSTANDING VOLTAGE	1500	V <sub>rms</sub> min
INSULATION RESISTANCE	5000	MΩ.min
HERMETIC SEAL	-	cc/s Atm.cm3/s
LEAKAGE (pressurized only)	-	psi MPa
DRIFT	0	dB

STANDARDISATION

CABLE RETENTION	0	lb min N
CENTER CONTACT RETENTION		
Axial force - mating end	6.06 <sup>27</sup>	lb min N
Axial force - opposite end	6.06 <sup>27</sup>	lb min N
Torque (Min)	0	inch.oz cm.N
RECOMMENDED TORQUES		
Mating	0	inch.lb cm.N
Panel nut	0	inch.lb cm.N
Clamp nut	0	inch.lb cm.N

CONSTRUCTION

CONNECTOR PARTS	MATERIALS	FINISH
OUTER CONTACT	BRASS	NICKEL
CENTER CONTACT	BERYLLIUM COPPER	GOLD
INSULATOR	PTFE	-
SMA BODY	BERYLLIUM COPPER	NICKEL
-	-	-
-	-	-
-	-	-
-	-	-

ISSUE	REVISION No	DESCRIPTION	BY	CAT.
9531	95.06.029	Insertion force N socket .N new range.	BONOMINI	31-07-

Initiated on 31/07/95  
Approval by constantin

The information given here is subject to change without notice. Design changes may be in order to improve the product.

